

## Generator Specification

Service	PRP(1)	ESP(2)
Power (KVA)	750	825
Power (KW)	600	660
Rated speed	1500RPM	
Standard voltage	400/230V	
Power factor	0.8	
Phase	3	

Performance Data		
Model	<b>GPW750S5   GPW750D5</b>	
Engine brand	<b>WEICHAI</b>	
Engine model	6M33D725E310	
Speed control type	ECU	
Alternator brand	<b>GENLITEC</b>	
Alternator model	S354G600	
Control system	<b>SMARTGEN HGM6120N</b>	
Starter motor voltage	24V	
Frequency	50Hz	
	100% Prime Load	155.3
Fuel	75% Prime Load	114.8
Consumption	50% Prime Load	77.4
(L/H)	25% Prime Load	39.7
	Fuel Tank (L)	1300



GENLITEC Power gensets are compliant with ISO 9001 and CE standard, which include the following directives:

- 2006/42/EC Machinery directive
- 2014/30/EU Electromagnetic compatibility directive
- EN 12100:2010; EN ISO 8528-13:2016; EN 60204-1:2018; EN 61000-6-2:2019; EN 61000-6-4:2019
- **GPW750S5 (Silent Type)**
- **GPW750D5 (Open Type)**

### (1) PRP (Prime Power)

According to ISO 8528-1, prime power is the maximum power available during a variable power sequence, which may be run for an unlimited number of hours per year, between stated maintenance intervals. The permissible average power output during at 24 hours period shall not exceed 80% of the prime power. 10% overload available for governing purposes only.

### (2) ESP (Standby Power)

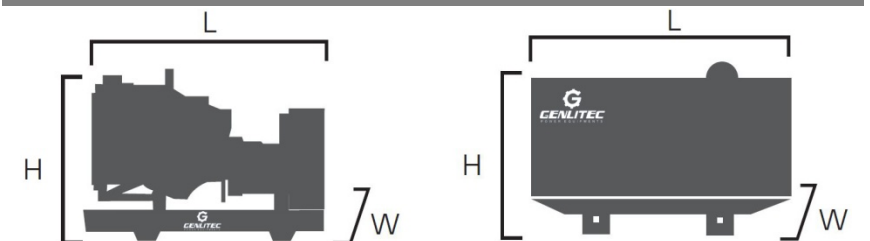
According to ISO 8528-1. It is defined as the maximum power available, under the agreed operating conditions, for which the generating set can deliver for up to 500 hours of operation per year (of which no more than 300 hours for continuative use) with the maintenance intervals and procedures being carried out as prescribed by the manufactures. No overload capability is available.

Voltage (V)	ESP		PRP		Current Amps
	KVA	KW	KVA	KW	
415/240	825	660	750	600	1043.4
400/230	825	660	750	600	1082.6
380/220	825	660	750	600	1139.5

### Standard Reference Conditions

Note: Standard reference condition 25°C (77°F) air inlet temp. 100m (328ft) A.S.L 30% relative humidity. Fuel consumption date with diesel fuel with specific gravity of 0.85 and conforming to BS 2869: 1998 Class A2

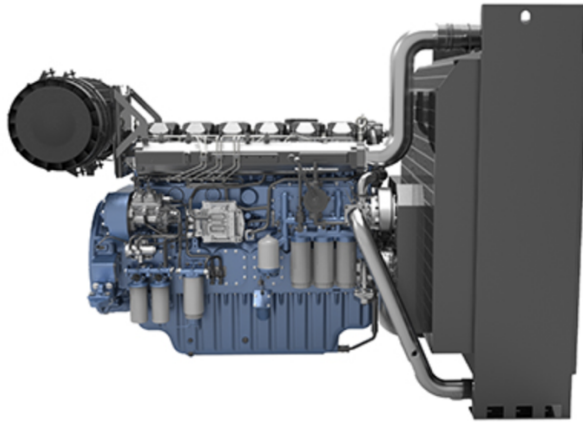
### Dimension & Weight



Dimension	Open type	Silent type
Length (L)	3550mm	5480mm
Width (W)	1600mm	1850mm
Height (H)	2180mm	2500mm
Net Weight	4530kg	6580kg

**Note: This parameter allows for some acceptable deviations.**

## ■ Engine Specification



MODEL: WEICHAH 6M33D725E310	
Cylinder number	6
Aspiration system	Turbo & intercooling
Cooling method	Water cooled
Governor type	ECU
Bore x Stroke (mm)	150x185
Compression ratio	15.0:1
Rated speed (RPM)	1500
Displacement (L)	19.6
Rated power (KW)	675
Standby power (KW)	725
Injection	50°C
Coolant capacity (L)	43.93(engine only)
Oil capacity (L)	36/61 (Low/High)
Fuel system	Common Rail
Starter motor capacity	DC 24V

## ■ Alternator Specification



MODEL: GENLITEC S354G600	
Number of phase	3
Rated power (KW/KVA)	600/725
Frequency (Hz)	50
Power factor (Cos Phi)	0.8
Poles	4
Temp. rise	125K
Terminals	6/12
Insulation type	H class
Ambient temp.	40°C
IP rating	IP23
Excitation system	Self-excited
Bearing	Single bearing
Coating	Vacuum impregnation
Voltage regulator	A.V.R
Coupling	Flexible disc

### Standard Supply Scope

- Industrial exhaust silencer
- Maintenance free battery
- Water cooling radiator
- A.V.R
- Flexible pipes
- Battery wires
- Wiring diagram
- Build-in based fuel tank
- Float Battery charger
- Manual books
- Tool kits
- Emergency stop button
- Base frame
- Digital control panel
- Main circuit breaker

## ■ Optional Supply Scope

Engine	Alternator	Generator Sets	Control Panel
<input type="checkbox"/> Water jacket pre-heater <input type="checkbox"/> Lubrication oil pre-heater <input type="checkbox"/> Battery isolator	<input type="checkbox"/> Anti-condensation heater <input type="checkbox"/> PMG <input type="checkbox"/> STAMFORD alternator <input type="checkbox"/> LEROY SOMER alternator	<input type="checkbox"/> Extended fuel tank 12h/24h/72h <input type="checkbox"/> Trailer mounted	<input type="checkbox"/> Remote control system <input type="checkbox"/> Build-in/External ATS <input type="checkbox"/> Synchronizing System <input type="checkbox"/> Power output sockets

## ■ Warranty Period

**WEICHAH diesel engine:** 12 months or 1000 working hours.

**STAMFORD/LEROY SOMER alternator:** Global warranty, 12 months or 1000 working hours.

**GENLITEC alternator:** Factory warranty, 12 months or 1000 working hours.

**DEEPSEA control module:** Factory warranty, 12 months or 1000 working hours.

## Control Panel

### Configuration

- Emergency stop button
- Protection MCB (Main circuit breaker)
- Float battery charger
- ATS connection
- AMF digital control module
- Fuel level meter
- Controller power switch
- Alarm buzzer

### Features

- Chinese, English, Spanish, Turkish, Russian & French
- Three phase generator monitoring
- Automatic or manual start/stop of the gensets
- Push buttons for simple control & operation
- Generator measurements (50Hz/60Hz)
- Precision collect & display parameters about ENGINE
- Comprehensive shutdown or warning on fault condition
- Three phase generator protections
  - Over / under voltage
  - Over / under frequency
  - Current / voltage asymmetry
  - Over current / overload
- Three phase AMF function
  - Over / under voltage
  - Loss of phase detection function
- Emergency start function
- IP55 waterproof with rubber-ring gasket



### Control Module Model: SMARTGEN HGM6120N

Display	LCD (132 x 64)
Operation panel	Silicon rubber
Digital input	5
Relay output	6
Analogue input	3
AMF	Yes
AC System	1P2W / 2P3W / 3P3W / 3P4W
Alternator voltage	15-360V (ph-N)
Alternator frequency	50/60Hz
KW/Amp Detecting & Display	Yes
Monitor interface	USB
Programmable interface	USB
DC supply	DC 8-35V
Operating temp.	-25 ~ +70°C

## Controller Module Options

COMAP	DEIF	DEESEA
AMF25	SGC 420	DSE7320
		

Local Distributor / Partner

